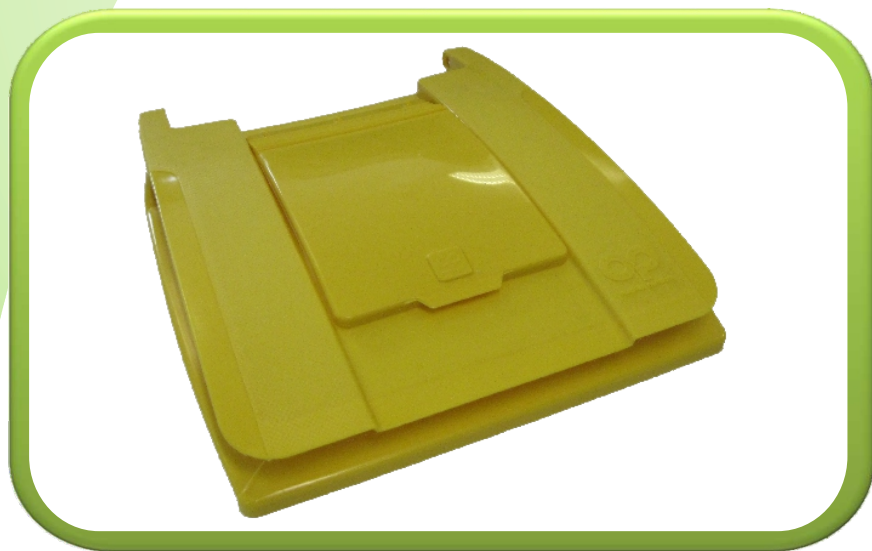


Fiche technique

120/140/180/240/360/400/500L



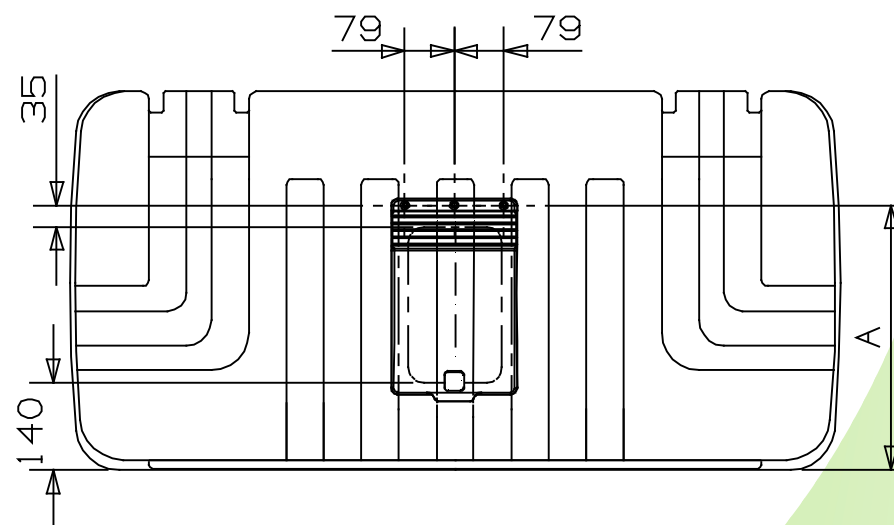
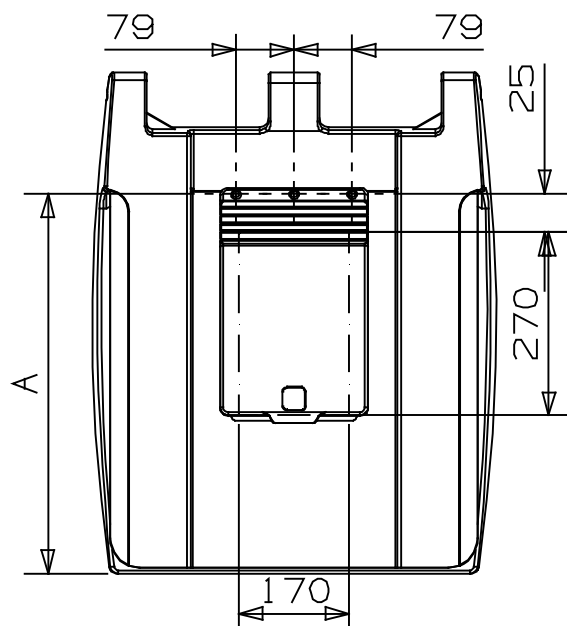
SURCOUVERCLE version 1 opercule



Constituant principal
PEHD

Code	Poids
217990 (JA)	0,145kg

Volume	A
120/140L	415
120L Citybac2	410
180L Citybac2	510
240L	510
360L	570
400L	500
500L	425



Accessoires

SULO®

KB - Le 23/05/16